

HCBC HIGH CURRENT BUSBAR CLAMP, 3.94"

CATALOG NUMBER

HCBC100



CERTIFICATIONS



FEATURES

Connects copper busbar to copper busbar, nVent ERIFLEX Flexibar or power shunt

Made with non-magnetic materials for high current connections between nVent ERIFLEX Flexibar and rigid busbars such as transformer terminals

Rigid design assures even contact pressure

Installs quickly and easily

Ideal for on site modifications

RoHS compliant

PRODUCT ATTRIBUTES

Article Number: 553110

Material: Stainless Steel 304 (EN 1.4301)

Clamping Capacity: 1.57"

Conductor Width: 3.94"

Depth: 0.79"

Height: 1.69"

Width: 6.3"

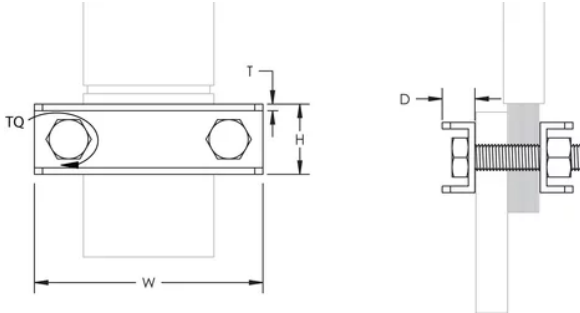
Thickness: 0.16"

Torque: 74'·lbf

ADDITIONAL PRODUCT DETAILS

Use two clamps for optimal contact pressure.

DIAGRAMS



WARNING

nVent products shall be installed and used only as indicated in nVent's product instruction sheets and training materials. Instruction sheets are available at www.nvent.com and from your nVent customer service representative. Improper installation, misuse, misapplication or other failure to completely follow nVent's instructions and warnings may cause product malfunction, property damage, serious bodily injury and death and/or void your warranty.

North America

+1.800.753.9221
Option 1 – Customer Care
Option 2 – Technical Support

Europe

Netherlands:
+31 800-0200135
France:
+33 800 901 793

Europe

Germany:
800 1890272
Other Countries:
+31 13 5835404

APAC

Shanghai:
+ 86 21 2412 1618/19
Sydney:
+61 2 9751 8500



Our powerful portfolio of brands:
nVent.com CADDY ERICO HOFFMAN RAYCHEM SCHROFF
TRACER